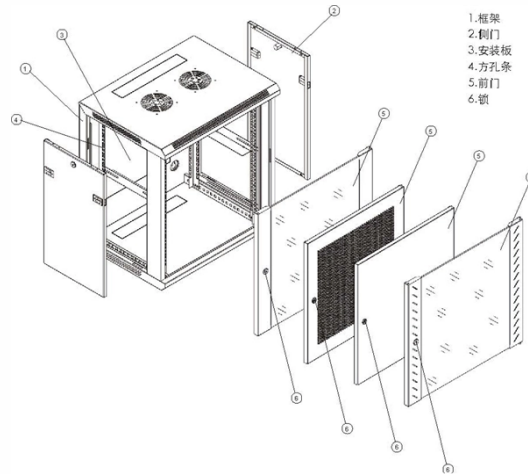


How long is the warranty period for junction boxes



Overview

Junction boxes and enclosures are typically warranted for 1 year, with optional extension up to 5 years. Rooftop PV plants have no moving parts and therefore don't suffer from wear and tear, making them extremely. How to Choose the Right Low-Voltage Junction Box?

How to Choose the Right Low-Voltage Junction Box?

When selecting the correct low-voltage junction boxes, pay attention to the factors below: These considerations allow for operational and safety requirements to be met effectively with the junction. ence and does not include time, travel or indirect costs. Warranty coverage is secondary to service con-tracts and all other forums of applicable facility property or equipment loss insurance carried by Customer. The Product, when delivered to you in new condition in its original packaging, is warranted against defects in materials or workmanship as follows: For a period of three (3) years from the date of original purchase, defective parts or a defective Product returned to a Seller, or its authorized. der proper and normal use. HUS shall in no event be responsible or liable for damages or injuries resulting from modifications, alterations, misapplication or repairs made to its products by buyer or others, or for damage caused or injuries resulting from negligence, accident or impro- er use by.

Article Content

Apr 19, 2026

What is a Junction Box? A Complete Beginner's Guide

Learn what a junction box is, why it matters, the different types available, and how to choose the right junction box for safety and reliability.

Oct 31, 2025

What is a Junction Box: Definition, Purpose, and Wiring

A junction box is an electrical enclosure that houses and protects electrical connections and wiring. Its primary function is to safeguard wires and

Jun 07, 2026

Circuit Breaker and Surge Protective Device Limit Warranty

The Circuit Breaker and Surge Protective Device warranty does NOT cover these types of appliances (including but not limited to): computers, VCRs, televisions, fax machines, scanners and copiers,

Feb 21, 2026

Warranty Period Explained: Duration, Claims, and Rights

Understand how long warranties actually last, what happens to coverage during repairs, and what you can do when a company refuses to honor your claim.

Feb 11, 2026

Junction Box

A: Replacement is recommended if the box shows signs of physical damage, compromised sealing, or after prolonged exposure beyond the warranty period of 1 year to ensure continued protection and

Feb 18, 2026

02/15/25 LIMITED WARRANTY.

GOVERNING LAW. This Limited Warranty shall be construed and enforced in accordance with the laws of the State of New York and the applicable laws of the United States.

May 07, 2026

Everything You Need To Know About Junction Boxes

Everything You Need To Know About Junction Boxes A junction box is an electrical enclosure used to protect and safely contain electrical connections

Mar 18, 2026

How to Maintain and Inspect Your Junction Boxes

Maintaining and inspecting your junction boxes is essential to ensure the continued safety, functionality, and reliability of your electrical systems. Over

Oct 18, 2025

Electrical installation solutions for buildings Junction boxes

IP44, IP55 and IP65 Junction boxes IP44, IP55 and IP65 Junction boxes for swimming pool control equipment, washing car centers, garages, building services, automatic garden lighting and watering,

Sep 12, 2025

What are the Warranties and Certifications I should look for in my ...

Cables are typically warranted for 1 year, with optional extension up to 5 years. Junction boxes and enclosures are typically warranted for 1 year, with optional extension up to 5 years. The certification

Aug 06, 2025

Junction Box Installation & Operation Manual

Route the cable from the last Junction Box through the conduit/cable tray to the controller. Refer to the controller manual for wiring diagrams required to wire the Junction Box to the controller.

Jun 12, 2026

Understanding Low Voltage Junction Boxes: Guide to

A: The warranty period for low-voltage junction boxes varies by manufacturer but typically ranges from one year to a lifetime warranty, depending

Mar 03, 2026

The Essential Guide to Junction Boxes: Types, Uses,

Unlock the essentials of junction boxes with Vorlane's guide on types, uses, and installation tips for safe and efficient electrical setups.

Oct 15, 2025

Junction Boxes | A Complete Guide

The Significance of Junction Boxes in Electrical Safety The significance of a junction box cannot be overstated in terms of long-lasting electrical safety.

Sep 22, 2025

Everything You Need To Know About Junction Boxes

A junction box serves as an integral component within electrical systems, meticulously designed to protect and organize electrical connections. These enclosures, crafted from robust materials such as

Oct 21, 2025

Junction Box 101: Get to Know Junction Box Basics

A junction box is a critical component in electrical wiring systems, serving as an essential element for protecting electrical connections and ensuring the safety

Dec 05, 2025

Does a Home Warranty Cover Electrical Issues? Let's

Below are a few parts of your electrical system that a home warranty will likely cover. Junction boxes and wiring Have you ever wondered what the

Mar 07, 2026

Junction Boxes

Junction boxes with screw-type terminals must be installed in locations that allow inspection, testing, and maintenance in compliance with

May 12, 2026

What are the Warranties and Certifications I should look for in my ...

Other components (inverters, batteries, junction boxes, etc.) come with 1-year warranty extendable to 5 years There are several IEC or IS standards that the various components of the solar system should

Apr 04, 2026

What Is a Junction Box?

Learn about a junction box as it pertains to a residential home and its electrical wiring, plus DIY tips to install an electrical junction box.

Oct 09, 2025

How to Install an Electrical Junction Box

If your house has visible wiring splices or if you need to add a new splice to extend a circuit, follow these simple steps to

Dec 01, 2025

NEC Compliance for Junction Boxes: E-abel's

In the realm of electrical installations, junction boxes serve as critical nodes where wiring connections are made and routed. Their proper selection,

Dec 07, 2025

Home Warranty Electrical Coverage: What's Covered & Not

Understand your home warranty's electrical coverage: what's usually protected (like wiring, breaker box) and what's commonly left out.

Dec 30, 2025

Understanding Electrical Warranties and Guarantees

Electrical warranties usually cover a specific period, ranging from 12 months to several years, depending on the type of work or equipment. Key

Nov 07, 2025

An In-Depth Look at Junction Boxes

Metal junction boxes offer superior grounding and fire resistance, while plastic boxes provide corrosion resistance and ease of installation. Proper installation, accessibility, and regular

Mar 04, 2026

The Complete Guide to Electrical Junction Box

In the world of residential, commercial, and industrial electrical systems, one of the most overlooked yet critical components is the junction box. Often hidden behind

Oct 23, 2025

Junction boxes: what to look out for to ensure safe

Michael Crowther, Product Development Director at Hylec-APL, explains more about why 4-way junction boxes can help you ensure safe, reliable

Nov 26, 2025

Guide to Junction Boxes

This is further reinforced in Appendix 15 of the Wiring Regulations which states "Junction boxes with screw terminals must be accessible for inspection, testing & maintenance or, alternatively, use

Mar 02, 2026

Product Specifications

This limited warranty set forth below is given by Nova Automation (“Seller”) with respect to the electrical equipment (“Product”) packaged with this limited warranty.

Contact Us

For more information, pricing, or custom solutions, please contact us:

Website: <https://elagage-lorrain.fr>

Email: sales@elagage-lorrain.fr

Phone: +33 6 47 82 19 35

Address: 15 Rue de la République, 69002 Lyon, France

This document is for informational purposes only. Specifications subject to change without notice.

