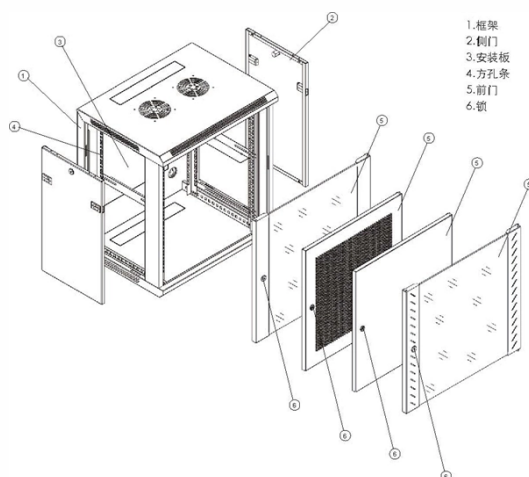


Parameters of Chinese Data Center Power Distribution Boxes



Overview

Standard DIN rail modules are 17. Weight: Dependent on material and size, ranging from a few kilograms to several hundred kilograms. Compliance with international standards is non-negotiable for safety and quality. IEC 61439-1/2: Low-voltage switchgear and controlgear assemblies. Note: One 4DR power distribution architecture is. In 1941, the successful revolution of data processing (DP) was started and hence the development of data centres (DaC). For the first time ever, engineer Konrad Zuse constructed an automatic computing machine - the Z3 - for the four basic arithmetic operations plus finding roots using. ABB's Control Room offering includes a comprehensive range of solutions designed to optimize the operator workspace for critical 24/7 processes across various industries. The control room is considered one of the most critical areas in any facility, impacting daily decision-making and overall. What Is a Power Distribution Box?

A power distribution box, also referred to as a distribution board or panel board, is a critical component in any electrical installation. Its job is to distribute electrical power from one source to multiple circuits while offering overcurrent protection through. IP Rating (Ingress Protection): Indicates protection against solid objects and liquids. Common ratings include IP54 (dust and water splash resistant) for indoor use and IP65/66 (dust-tight and protected against powerful water jets) for outdoor applications. However, IT professionals still have difficulty understanding what this means.

Article Content

Jan 29, 2026

TIP applications for power distribution | Application manual for data ...

Many different characteristics, like total area, floor area for ICT equipment, electric power demand of ICT equipment, or arithmetic operations per annum to be carried out in the data centre are used to

Jan 24, 2026

Power Distribution Boxes Explained Simply

Smart Power Distribution Boxes (Smart PDBs): Modern versions equipped with IoT features such as energy monitoring, fault alerts, and remote

Apr 04, 2026

Data Center Facility & Power Solutions | Huawei Digital

Explore a modern data center facility with an integrated data center power solution that improves infrastructure efficiency, reliability, and scalable growth.

Nov 13, 2025

Understanding Power Distribution Boxes: Types, Features, and

Readers can expect to gain a comprehensive understanding of the various types of power distribution boxes used in China, including their applications in residential, commercial, and

Jul 28, 2025

ABB Power Distribution for Data Centers

Intelligent Distribution refers to advanced electrical distribution systems that integrate digital technologies to optimize the management, monitoring, and control of power distribution in various

Nov 08, 2025

White Paper Power Distribution Units (PDUs) in Data Centers

Executive Summary Power Distribution Units (PDUs) are essential components in modern Data Centers, serving as the critical link between power sources and IT equipment. As Data Centers evolve to

Mar 21, 2026

Power Distribution Power distribution systems

Executive summary For data centers, hospitals and other mission-critical applications, the reliability and resilience of power distribution systems are top priorities and essential to securing the critical ICT load.

Apr 23, 2026

CommScope | now meets next

Explore data center topologies and architectures with CommScope's best practices guide, helping you optimize network infrastructure for efficiency and performance.

Oct 02, 2025

A Scalable, Reconfigurable, and Efficient Data Center Power ...

Significant improvements in efficiency, power density, power monitoring, and reconfigurability have been achieved in data center power distribution. The past techniques of massive transformer-based power

Jul 30, 2025

ABB Power Distribution for Data Centers

ABB offers a comprehensive range of power converters and controllers designed for various applications across different industries. These products help customers generate and utilize energy efficiently,

Aug 17, 2025

Huawei AI Data Center Reference Design

This solution integrates power supply and distribution units, UPSs, lithium batteries, air conditioners, and fire extinguishing systems into a ultra-high protection 40-foot container.

Dec 06, 2025

Power Distribution Considerations for Data Center Racks

As data centers strive to become highly available as well as efficient, an important aspect of the entire data center infrastructure that needs special attention is their power distribution strategy. Traditional

May 22, 2026

Distribution Box Supplier & Manufacturer in China

Leading electrical distribution box manufacturer in China. Reliable power distribution boards for industrial and commercial systems with OEM support.

Dec 02, 2025

Understanding China's Power Distribution Box

In this comprehensive guide, we'll break down China's power distribution box standards, how they compare globally, and what international

Jul 23, 2025

Power Distribution in Data Centers

Data center managers are faced with increasingly challenging demands: supplying additional computing power using less energy in a smaller space, while staying within budget constraints and maintaining

Mar 11, 2026

Explore Power Distribution Box Types and Functions

It integrates power distribution, protection, and monitoring capabilities, and is responsible for distributing power to entire commercial or residential

Jan 11, 2026

China Distribution Boxes Supplier

Choosing the correct Distribution Boxes/Cabinets requires a thorough understanding of their technical specifications. Below is a detailed breakdown of the critical parameters. The build quality directly

May 26, 2026

Uncovering the Secrets of Power Distribution Cabinets:

Explore power distribution cabinets! This comprehensive guide unveils secrets of PDUs, electrical centers, and power distribution in data centers.

Aug 08, 2025

Data Center Best Practices Guide

Data centers can consume 100 to 200 times as much electricity as standard office spaces. With such large power consumption, they are prime targets for energy efficient design measures that can save

Jan 08, 2026

How to Optimize Electrical Distribution Design in Large

LV Distribution Design Sweet Spots for Large Data Center Applications For the low voltage distribution portion of the design, the MV/LV

Jan 31, 2026

Power Distribution in Data Centers

Traditional Power Solutions: Too Much or Too Little Traditional data center power distribution designs consist of power distribution units (PDUs) delivering power to remote power panels (RPPs), which in

Dec 29, 2025

Understanding Distribution Boxes: A Comprehensive Guide

A distribution box, also known as a power distribution box or electrical distribution box, is used to distribute electrical power safely to multiple

Mar 26, 2026

Complete Guide for Power Distribution in Servers, Racks, and Data Centers

Power Distribution Units (PDUs) are the crucial link between your facility's electrical infrastructure and your IT equipment. These devices ensure clean, stable power reaches every server, switch, and

Apr 11, 2026

What is a power distribution unit (PDU)?

A power distribution unit (PDU) is a device for controlling data center electrical power. The most basic PDUs are large power strips without surge protection. They are designed to provide

Feb 11, 2026

China Precision Power Distribution Suppliers,

Shangyu CPSY® precision power distribution cabinet is an intelligent power distribution cabinet that is carefully designed for the energy end of the data center

Sep 14, 2025

Electrical Distribution Equipment in Data Center Environments

For IT professionals, the terminology can be very confusing – high voltage, medium voltage, low voltage; switchgear, switchboards, panel boards, power distribution units, etc. This paper defines these key

Mar 18, 2026

Electrical Distribution Equipment in Data Center Environments

Table 2 shows some key parameters of electrical distribution equipment found in a data center. This table does not include other devices such as UPS, and generators since they are not considered

Nov 18, 2025

Understanding Distribution Boxes: Your Guide to Power

We will review its functions, basic parts, additional parameters that may compromise an efficient system, and how these parameters affect the

Contact Us

For more information, pricing, or custom solutions, please contact us:

Website: <https://elagage-lorrain.fr>

Email: sales@elagage-lorrain.fr

Phone: +33 6 47 82 19 35

Address: 15 Rue de la République, 69002 Lyon, France

This document is for informational purposes only. Specifications subject to change without notice.

